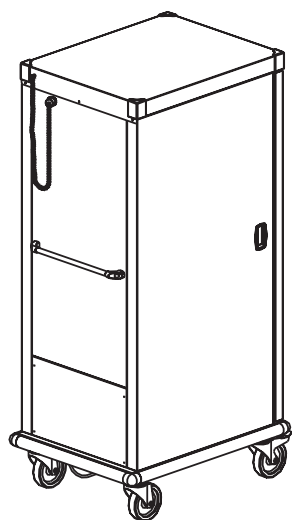
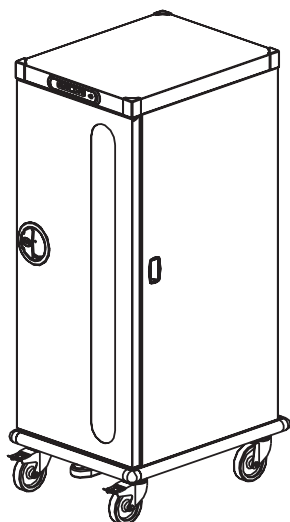


# ROLL' Service

## Temperature holding banquet trolleys with 20 levels and glazed door



### Construction:

- Made of food quality stainless steel
- Rock wool insulation, 70 mm thick for walls and 45 mm thick for the door.
- Inside entirely radiused, with press-drawn sliders and base.
- Door opens 270°, with removable seal and 6 mm thick tempered glass.
- Carrying handles on sides and back.

**GN 1/1 models:** wheels Ø 125 mm with polyamide cover, 2 with brakes.

**GN 2/1 models:** wheels Ø 160 mm with stainless steel cover, 2 with brakes.

- Circumferential bumper.
- Electronic control thermostat with digital display (range from 60 to 85°C).
- Even heating by means of shielded heating element and centrifugal fan.
- Spiral power cable 3G1,5 with moulded plug + plug support.

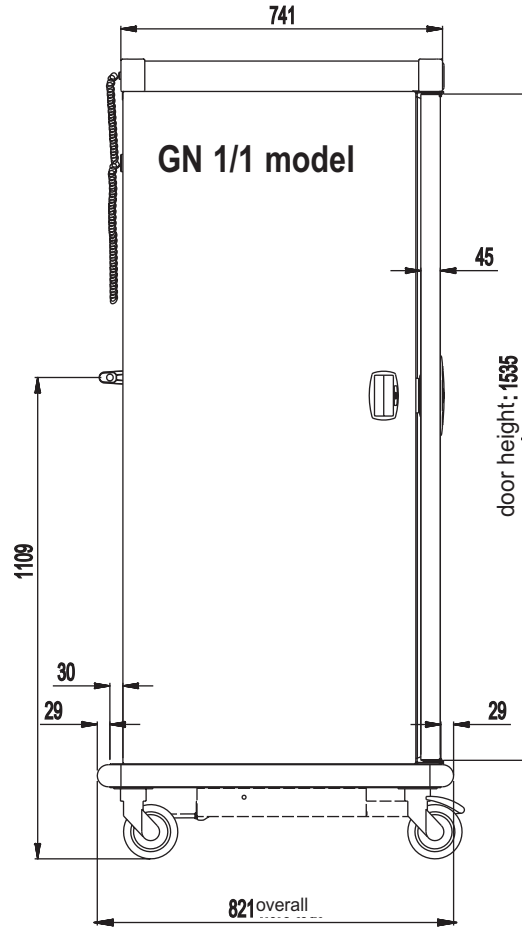
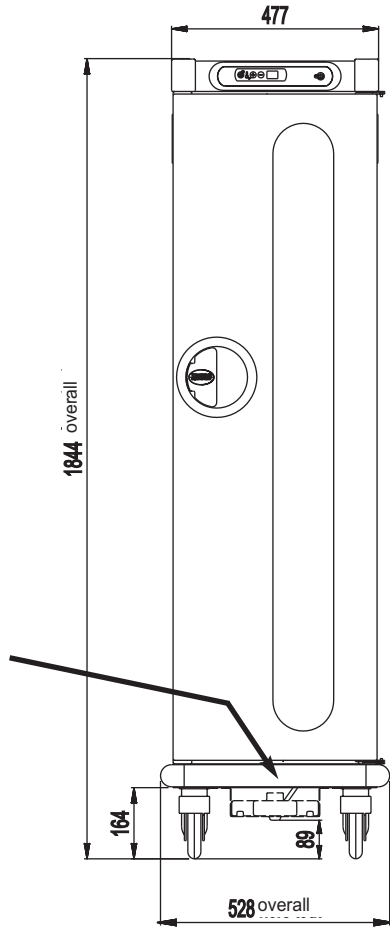
### Models with hygrometry control:

- Hygrometry controlled by 5 pre-set cycles in the electronic control thermostat.
- Removable rotomoulded tank, capacity 2 litres (i.e. 24 hours use with the maximum hygrometry cycle), accessible from the front.

Opening	GN 1/1	GN 1/1	GN 2/1	GN 2/1
Controlled hygrometry	no	yes	no	yes
Reference	507 382	507 387	507 482	507 487
Loading	20 GN 1/1 containers h. 65 mm		20 GN 2/1 containers h. 65 mm or 40 GN 1/1 containers h. 65 mm	
Space between sliders (in mm)	71		71	
External dimensions (in mm)	528 x 821x 1844		733 x 941x 1880	
Internal dimensions (in mm)	330 x 590 x 1460		535 x 710 x 1460	
External volume (in m <sup>3</sup> )	0,799		1,296	
Internal volume (in m <sup>3</sup> )	0,284		0,555	
Weight when empty (kg)	98	100	135	137
Voltage	230 Volts ~ single phase - 50 Hz			
Rating (W)	1215		2015	
Current (A)	5,5		9,2	
Power consumption per hour (KWh)	0,58		0,78	
Protection Index	25			
Standards	NF EN 60335-1 NF EN 60335-2-49			

# TOURNUS EQUIPEMENT

Tank for model with hygrometry control



Tank for model with hygrometry control

