

High Performance **microsave**™ Range



CM-1901T 1900 watts

microsave™ COMPATIBLE

The Bonn CM-1901T with 1900watt power output offers market leading speed. Heavy duty construction, high power and Bonn's unique MicroSave™ protection makes the CM-1901T the most advanced Heavy Duty Commercial Microwave Oven and the number 1 choice amongst professionals.

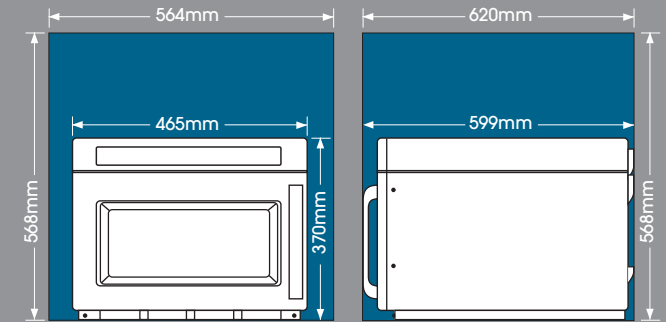
The unique removeable MicroSave™ cavity liner reduces service costs by up to 80% and extends the life of the oven. The MicroSave™ significantly improves hygiene by collecting all spills and splatters for easy cleaning. The patented MicroSave™ liner is available as an optional extra and a must for all professional users.

The CM-1901T utilizes Dual Magnetron technology reducing the operating temperature of each magnetron by up to 50% when compared to single magnetron ovens. This means longer life span with greater reliability.

Industry leading 3 year warranty†**

CM-1901T Dimensions and Installation Guide

All microwave ovens should be installed in a well ventilated area. Below are the minimum recommended built in installation dimensions.



MODEL	Power Output	Oven Capacity	microsave	Programmable Control Panel	Number of Programs	Ceramic Base	Glass Turntable	Internal Construction	External Construction	Inner Door Construction	Power Point Required	Weight	Current Drawn	Power Source	External Dimensions	Internal Dimensions
CM-1901T	1900 watts	26 litre	✓	✓	200	✓	✗	Stainless Steel	Stainless Steel	Toughened Glass	15 amp	32kg	14.9 amp	240V - 50Hz	464w x 368h x 620d	370w x 190h x 370d
CM-1401T	1400 watts	26 litre	✓	✓	200	✓	✗	Stainless Steel	Stainless Steel	Toughened Glass	10 amp	32kg	9.9 amp	240V - 50Hz	464w x 368h x 620d	370w x 190h x 370d



CM-1401T 1400 watts

microsave™ COMPATIBLE

The Bonn CM-1401T with 1400watt power output offers market leading speed. Heavy duty, high power and Bonn's unique MicroSave™ protection.

The unique removeable MicroSave™ cavity liner reduces service costs by up to 80% and extends the life of the oven. The MicroSave™ significantly improves hygiene by collecting all spills and splatters for easy cleaning. The patented MicroSave™ liner is available as an optional extra and a must for all professional users.

The CM-1401T utilizes Dual Magnetron technology reducing the operating temperature of each magnetron by up to 50% when compared to single magnetron ovens. This means longer life span with greater reliability.

Industry leading 3 year warranty†**

CM-1401T Dimensions and Installation Guide

All microwave ovens should be installed in a well ventilated area. Below are the minimum recommended built in installation dimensions.

