



# MODULINE

*foodfinish & foodserve technologies*

## HOLDING SYSTEMS

### HHT081E

Static holding trolley



#### CONSTRUCTION FEATURES

- Tightness chamber with radius corners
- Rubber bumpers
- Total thermic insulation with rock or glass wool
- Long lasting front and door seals made up of food grade of high heat resistance
- Removable side racks to facilitate cleaning
- Static heating provided by low consumption wise heating element that covers up all the chamber
- Snap-shut door
- Mounted on four 125 mm diameter castors, two of which with brake
- Ergonomic handle for pushing and guiding
- Easy access to facilitate maintenance and repair

#### FUNCTIONAL FEATURES

- Electronic control of the temperature
- Operating temperature 30°-120°C
- Two adjustable humidity vents on the door
- Chamber with safety thermostat

#### STANDARD SUPPLY

- Removable GN 1/1 tray racks

#### OPTIONS & ACCESSORIES

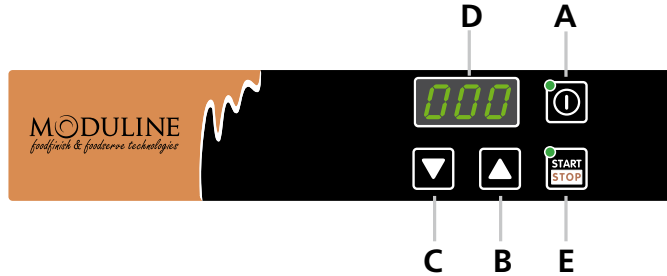
- No



# MODULINE

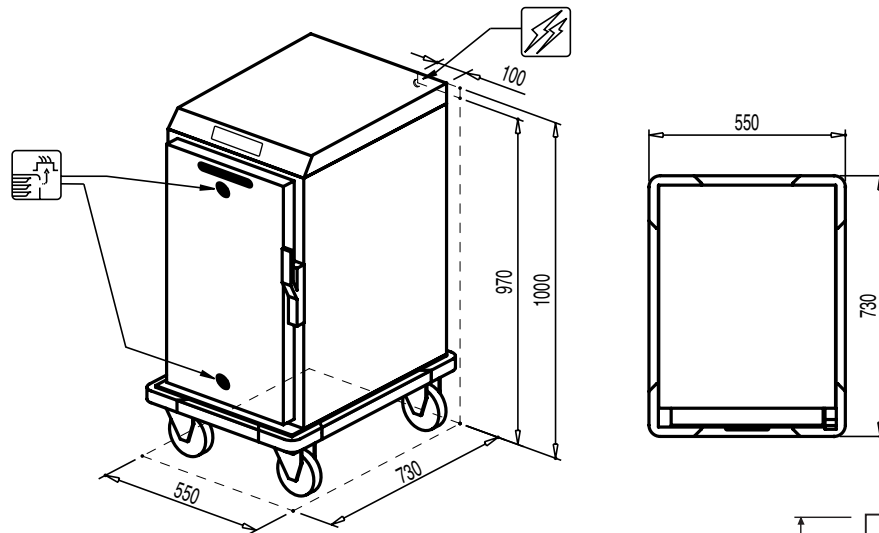
*foodfinish & foodserve technologies*


HOLDING SYSTEMS




- A ON/OFF switch
- B Temperature increase key
- C Temperature decrease key
- D Display
- E START/STOP key

## TECHNICAL INSTALLATION DIAGRAM



Electricity supply cable inlet 

Adjustable vent for release of excess humidity 

Model	Overall dimensions (W x D x H) - mm	Trays capacity	Power kW	Power supply
<b>HHT081E</b>	550 x 730 x 1000 h	8 x GN 1/1	1	AC 230 V / 50 Hz

