



# MODULINE

*foodfinish & foodserve technologies*

HOLDING SYSTEMS

## HHT282E

Static holding trolley



### CONSTRUCTION FEATURES

- Two separately controlled compartments
- Rubber bumpers
- Total thermic insulation with rock or glass wood
- Long lasting front and doors seals made up of food grade of high heat resistance
- Removable side racks to facilitate cleaning
- Static heating provided by low consumption wise heating element that covers up all the chamber
- Snap-shut doors
- Mounted on four 150 mm diameter castors, two of which with brake
- Ergonomic handles for pushing and guiding
- Easy access to facilitate maintenance and repair

### FUNCTIONAL FEATURES

- Two separate electronic controls
- Operating temperature 30°-120°C
- Two adjustable humidity vents on the doors
- Chamber with safety thermostat

### STANDARD SUPPLY

- Removable GN 2/1 e GN 1/1 tray racks

### OPTIONS & ACCESSORIES

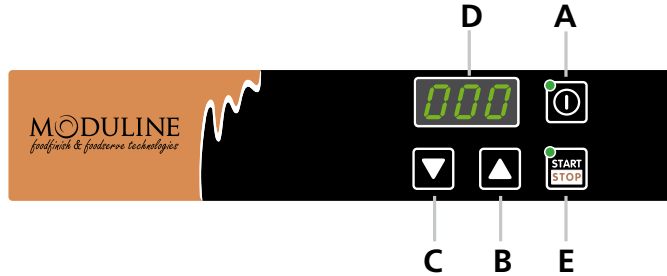
- No



# MODULINE

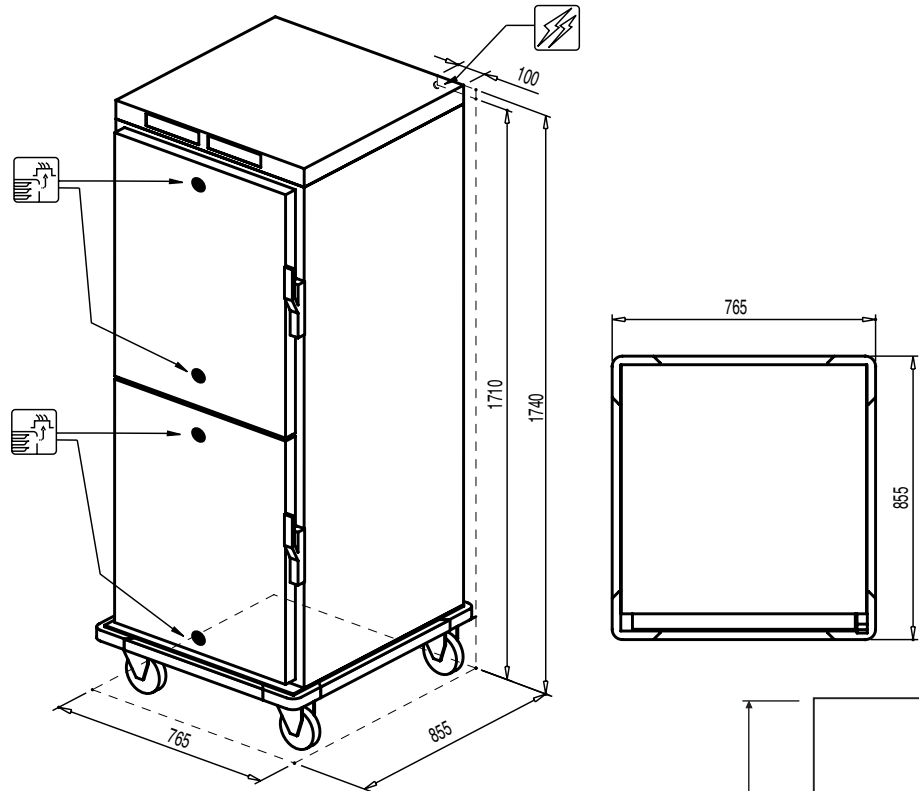
foodfinish & foodserve technologies


HOLDING SYSTEMS




- A ON/OFF switch
- B Temperature increase key
- C Temperature decrease key
- D Display
- E START/STOP key

## TECHNICAL INSTALLATION DIAGRAM



Electricity supply cable inlet 

Adjustable vent for release of excess humidity 

Model	Overall dimensions (W x D x H) - mm	Trays capacity	Power kW	Power supply
<b>HHT282E</b>	765 x 855 x 1740 h	(8+8)xGN2/1 (16+16)xGN1/1	1,5 + 1,5	AC 230 V / 50 Hz

