



STOVE TOP ELECTRIC

SINGLE & DOUBLE

STOVE TOP ELECTRIC

"Anvil's stove tops are designed for heavy duty commercial use and can be used for cooking, holding and warming."

APPLICATION

- CAN BE USED IN RESTAURANTS, COFFEE SHOPS AND PUBS. PARTICULARLY SUITED TO BUFFET LINES OUTSIDE CATERERS AND MOBILE COOKING FACILITIES eg: TRADE SHOWS
- CAN ACCOMMODATE LARGE POTS

CONSTRUCTION

- THIS STOVE BODY IS MADE FROM STAINLESS STEEL FOR DURABILITY AND EASE OF CLEANING
- SPLASHBACK PREVENTS SPILAGE

HEATING

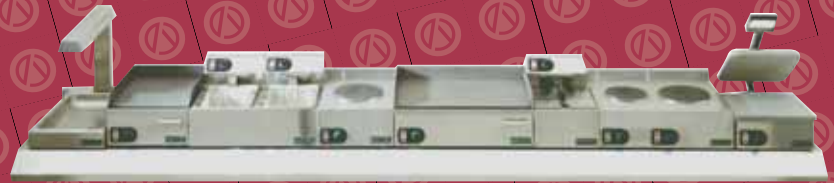
- THE HOT PLATE HAS AN EMBEDDED ELEMENT WHICH IS PERMANENTLY BONDED FOR MAXIMUM HEAT RETENTION AND DISPERSION
- RAPID HEAT UP TO 300°C
- SIX STAGE HEAT SWITCH FOR SIMMERING & BOILING



Anvil reserves the right, without notice, to make changes and revisions to product specifications, materials and design, which in our opinion, will provide better performance, durability and efficiency.



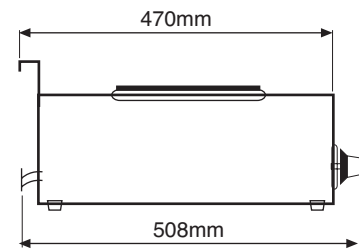
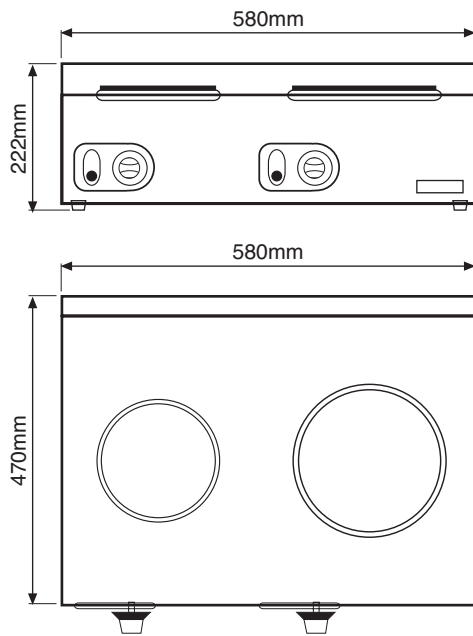
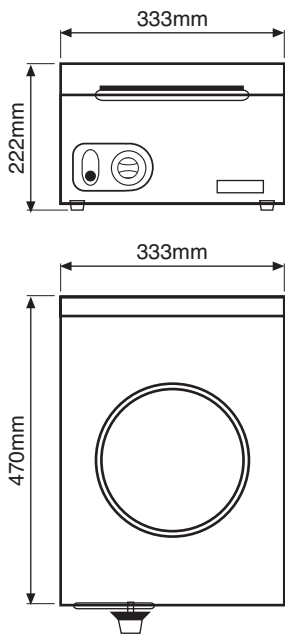
ALL ANVIL EQUIPMENT COMES WITH A ONE YEAR WARRANTY ON COMPONENTS AND DEFECTIVE WORKMANSHIP



NOTE:

When viewing the appliance from the front in its usual operating position, the width (W) of the product is the total distance from left to right ; the depth (D) of the product is the total distance from front to back ; the height (H) is the total distance from the bottom of the product to the top

**STOVE TOP
ELECTRIC** **MODELS:
STA0001
STA0002**



DESCRIPTION	STOVE TOP SINGLE	STOVE TOP DOUBLE
MODELS	STA0001	STA0002
# OF PLATES	1	2
VOLTRAGE 240V	2kW	2 + 1.2 = 3.2kW
DIMENSIONS (mm) (W x D x H)	333 x 470 x 222	580 x 470 x 222
PACKED DIMINS (mm) (W x D x H)	370 x 530 x 270	620 x 530 x 270
PACKED WT (kg)	8	12
COMPLIES WITH SPEC	SABS IEC 60335	SABS IEC 60335

Note: Output performance figures quoted are dependant on various factors.

Manufactured by:
Scientific Engineering (Pty) Ltd
South Africa
Website: www.anvilworld.com



STA_ANVIL_01